

### 描述

HR1124S/HR1154D是应用于直流电机方案的单通道H桥驱动器芯片。HR1124S/HR1154D的H桥驱动部分采用低导通电阻的PMOS和NMOS功率管。低导通电阻保证芯片低的功率损耗，使得芯片安全工作更长时间。此外HR1124S/HR1154D拥有低待机电流、低静态工作电流。这些性能使能HR1124S/HR1154D易于玩具方案。

HR1124S/HR1154D内部含有过温关断保护。当负载电机是低阻抗的，或者输出端短路，这样使能HR1124S/HR1154D的输出电流急剧上升，同时内部温度也急剧上升。当芯片温度超过最大温度阈值（典型150℃），HR1124S/HR1154D会关断所有的输出，防止潜在安全隐患。只有当确认了芯片回归到安全的工作温度，内置温度迟滞电流才重新控制驱动电路。

### 应用

- 锂电池供电直流电机驱动
- 玩具机器人驱动控制

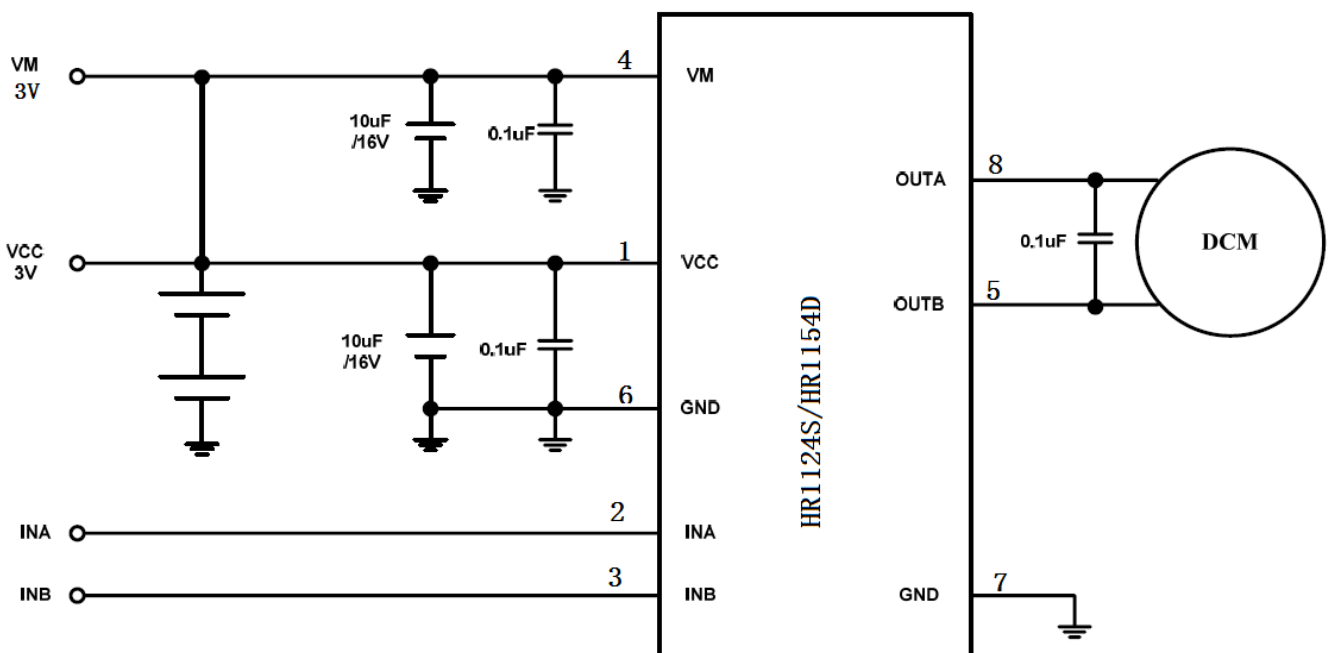
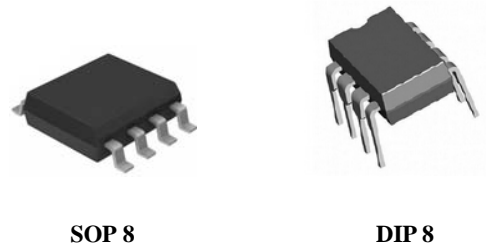
### 型号选择

Part Number	Package
HR1124S	SOP 8
HR1154D	DIP 8

### 特点

- 内置PMOS、NMOS的单通道H桥驱动器
- 四种驱动功能：正传、反转、停转和刹车功能
- 低RDS(ON)电阻（0.3Ω），连续输出电流：  
HR1124S:1.2A(SOP8);  
HR1154D:1.5A(DIP8);
- 低待机电流（0.01uA）和低静态工作电流（0.2mA）
- 低工作电压
- 宽电压供电，1.8V-6.8V
- 内置过温关断保护电路
- 符合RoHS标准

### 封装形式



## 管脚列表

NAME	PIN	IO	Pin Description
VCC	1	P	Power supply
INA	2	I	It combines INB to decide the state of the driver
INB	3	I	It combines INA to decide the state of the driver
VM	4	P	Power supply for driver
OB	5	O	H-bridge output terminal B of the driver
AGND	6	G	GND
PGND	7	G	GND
OA	8	O	H-bridge output terminal A of the driver

**IMPORTANT NOTICE****注意**

Jiaxing Heroic Electronic Technology Co., Ltd (HT) reserves the right to make corrections, modifications, enhancements, improvements, and other changes to its products and services at any time and to discontinue any products or services without notice. Customers should obtain the latest relevant information before placing orders and should verify that such information is current and complete.

嘉兴禾润电子科技有限公司（以下简称HT）保留对产品、服务、文档的任何修改、更正、提高、改善和其他改变，或停止提供任何产品和服务，并不提供任何通知的权利。客户在下单和生产前应确保所得到的信息是最新、最完整的。

HT assumes no liability for applications assistance or customer product design. Customers are responsible for their products and applications using HT components.

HT对相关应用的说明和协助以及客户产品的板级设计不承担任何责任。

HT products are not authorized for use in safety-critical applications (such as life support devices or systems) where a failure of the HT product would reasonably be expected to affect the safety or effectiveness of that devices or systems.

HT的产品并未授权用于诸如生命维持设备等安全性极高的应用中。

The information included herein is believed to be accurate and reliable. However, HT assumes no responsibility for its use; nor for any infringement of patents or other rights of third parties which may result from its use.

本文中的相关信息是精确和可靠的，但HT并不对其负责，也不对任何可能的专利和第三方权利的侵害负责。

Following are URLs and contacts where you can obtain information or supports on any HT products and application solutions:

下面是可以联系到我公司的相关联系方式：

**嘉兴禾润电子科技有限公司****Jiaxing Heroic Electronic Technology Co., Ltd.**

地址：浙江省嘉兴市凌公塘路3339号JRC大厦A座三层

Add: A 3rd floor, JRC Building, No. 3339, LingGongTang Road, Jiaxing, Zhejiang Province

销售/Sales: 0573-82583866

支持/Support: 0573-82586151

传真/Fax: 0573-82585078

E-mail: sales@heroic.com.cn

网址/Website: www.heroic.com.cn